

GAS TEST GAUGE



TECHNICAL DATA

Features:

- Provides a quick and easy means of pressurizing and monitoring gas system for leakage
- Gauges assembled on brass hex manifold incorporating an air valve
- Gas test manifold coupling is a trouble free alternative to test gas systems
- Coupling available assembled complete with pressure gauge and air valve or coupling only

Specification:

Dial Diameter:2"
Range:0-30PSI
Fitting:3/4" Female

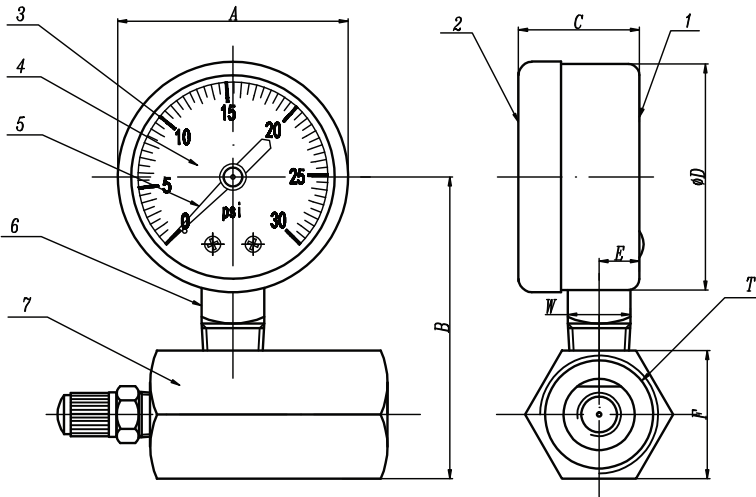
PART#	DESCRIPTION
TG-G-30	3/4" GAS TEST GAUGE ASSEMBLY 0-30 PSI



Country of origin: China

ROUGH IN DR

2.0"	WEIGHT	KEY	A	B	C	D	E	F	T	W (sq)
			mm	51.0	67.4	27	50.5	9	28.6	3/4"
		in	2.00	2.7	1.06	1.99	.35	2.03		.55



7	Body	IRON
6	Soket	BRASS
5	Pointer	GAVALUME STEEL
4	Window	GLASS
3	Dial	ALUMNUM
2	Ring	IRON
1	Case	IRON
ITEM	NAME	MATERIAL

ALL DIMENSIONS SHOWN ARE NOMINAL